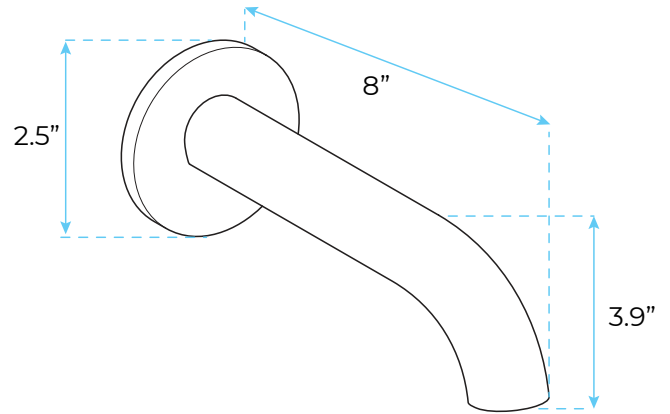


BRIO WALL MOUNT COMMERCIAL SENSOR FAUCET IN GOLD FINISH SPECS



SPECS:

Power: DC:6V(4AA alkaline battery)

AC:220V-240V; 50/60HZ

Type: Wall Mount

Detection Zone: 16-32 cm or adjustable

Motor valve lifespan: up to 500000 flushes

Battery lifespan: 100000 cycles

Static Power Consumption: 0.36mw

Working Power consumption: 0.5mw

Inductive Opening Time: < 1 second

Inductive Closing Time: < 2 second

Water Pressure: 0.05~0.8Mpa

Flux: $\geq 0.07L/S$

Shutt-off delay time: 60 seconds

Response time: 0.3second

